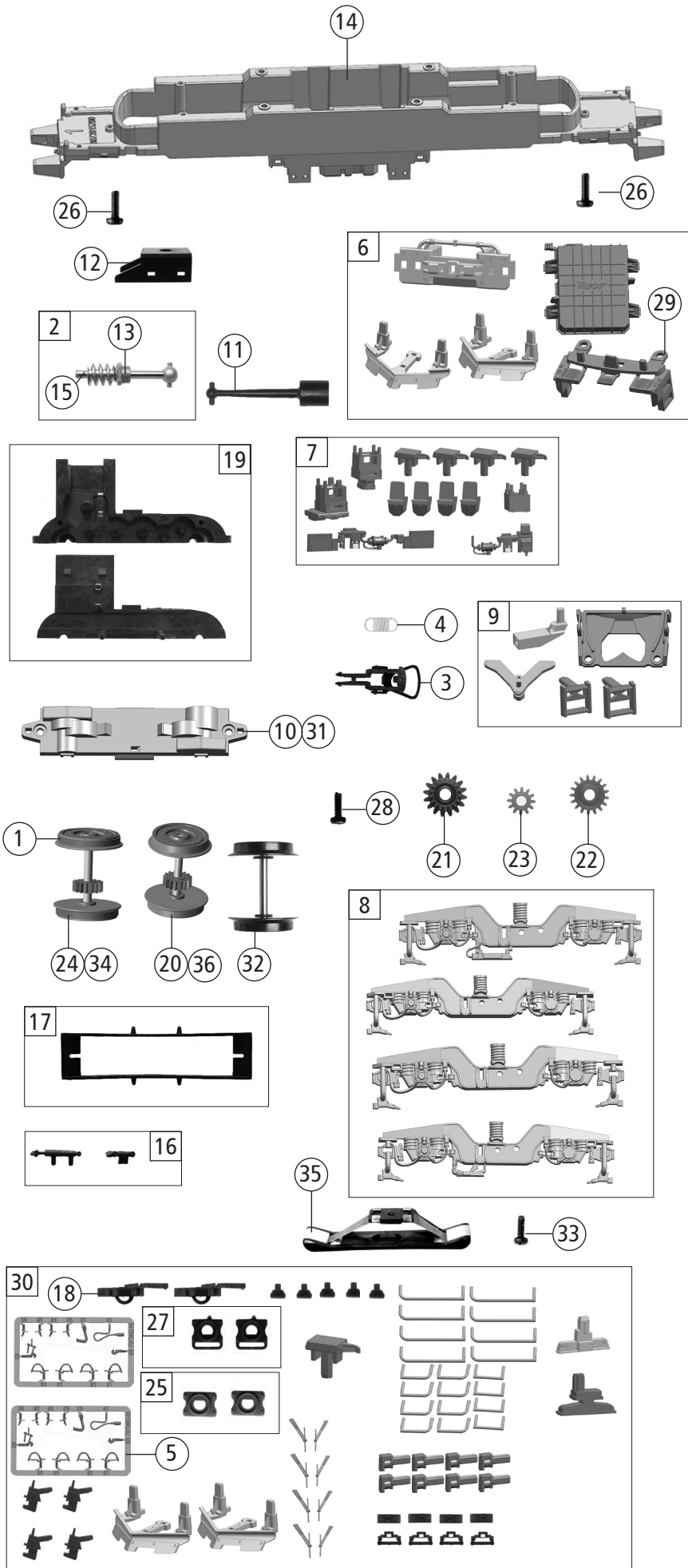


| Pos. Nr. Pos.no. | Beschreibung Description | Art.-Nr. Art.no. | Preisgruppe Price bracket |
|---------------------|---|---------------------|------------------------------|
| 1 | Gehäuse kpl.Betr.Nr. 6193 717-6 Body complete loco nr. 6193 717-6 | 146097 | 30 |
| 2 | Antenne Antenna | 141152 | 3 |
| 3 | Dachbaugruppe kpl. Roof assy complete | 145610 | 35 |
| 4 | Stromabnehmer Typ 8 Pantograph Typ 8 | 85488 | 23 |
| 5 | Stromabnehmer Pantograph | 85401 | 23 |
| 6 | Führerstand und Himmel Driver's cab and ceiling | 141640 | 8 |
| 7 | TS-Dachgitter Part set roof grid | 141150 | 10 |
| 8 | TS-Stirn + Seitenfenster Part set front and side window | 144603 | 9 |
| 9 | TS-Abdeckungen Part set covers | 141137 | 4 |
| 10 | TS-Lichtleiter und Scheinwerfer Part set light conductor and headlight | 141148 | 14 |
| 11 | Dachleitungen Roof wires | 141157 | 8 |
| 12 | Türgriff Door handrail | 141154 | 4 |
| 13 | TS-Wischer links und rechts,Horn Part set wiper left and right,signal horn | 141155 | 6 |
| 14 | Stromabnehmer Pantograph | 85400 | 19 |
| 15 | Stromabnehmer Typ8 Pantograph Typ8 | 85491 | 23 |
| 16 | TS-Isolatoren Part set isolators | 141156 | 5 |
| 17 | Frontplatte Front plate | 146098 | 8 |
| 18 | Puffer eckig Rectangular buffer | 122789 | 3 |
| 19 | TS-Lautsprecherbox und Platten Part set loudspeaker box and plates | 141139 | 5 |
| 20 | GF-Schraube M2x5 mm Self-tapping screw M2x5 mm | 114966 | 3 |
| 21 | Platine kpl.m.LED-Platine PCB complete with LED-PCB | 145555 | 28 |
| 22 | Brückenstecker Jumper | 129630 | 10 |
| 23 | Motor m.2Schwungm. und Kardanschale KM Motor with 2 flywheels and cardan reception | 145556 | 18 |
| 24 | Kardanschale kurz 1,5mm Cardan reception short 1,5mm | 87129 | 4 |
| 25 | Motordistanzplatte KM Motor spacer plate | 145557 | 4 |
| 26 | Kontaktfeder kurz Contact spring short | 145561 | 4 |
| 27 | Motordämpfer Motor silencer | 113376 | 4 |
| 28 | Kontaktfeder lang Contact spring long | 145560 | 4 |
| 29 | Lokführer Loco driver | 110407 | 6 |
| 30 | TS - Isolatoren Part set isolators | 115978 | 7 |
| 31 | SK-Schraube M1,6x5 mm SK - Screw M1,6x5 mm | 115317 | 4 |
| 32 | TS-LZB Antennen Part set antenna | 122803 | 6 |
| 33 | Antenne kurz Antenna short | 141151 | 3 |
| 34 | TS-Griffe Part set handles | 141238 | 6 |
| 35 | Steckdose Socket | 141163 | 3 |
| 36 | UIC-Dose UIC-socket | 141165 | 3 |
| 37 | Innenbeleuchtung Interior lighting | 141659 | 4 |
| Sound | | | |
| 38 | Platine kpl.m.LED-Platine PCB complete with LED-PCB | 145563 | 28 |
| 39 | Lautsprecher Loudspeaker | 129524 | 13 |
| 40 | Sounddecoder Sound-decoder | 129000 | 39 |

Änderungen in Konstruktion und Ausführung vorbehalten
We reserve the right to change the construction and specification

Auflage 03/2021 Blatt 3711 Best. Nr. 8071942930
Edition 03/2021 Page 3711 Order no 8071942930



| Pos. Nr. Pos.no. | Beschreibung Description | Art.-Nr. Art.no. | Preisgruppe Price bracket |
|------------------------|---|---------------------|------------------------------|
| 71942 | MRCE/LWR VECTRON | = | |
| 71943 | | = | 🔊 |
| 79943 | | ~ | 🔊 |
| 1 | Haftrings. 10Stk. 12,9-14,6 mm Traction tyre set,10 pcs.,12,9-14,6 mm | 40070 | --- |
| 2 | Schneckensatz mit Kardankugel Set of worm gear incl.cardan ball | 110377 | 13 |
| 3 | Standardkupplung Standard coupling | 89246 | 6 |
| 4 | Zugfeder Draw spring | 86208 | 3 |
| 5 | TS-Bremsschläuche und Zughaken Part set of brake tubes & coupling hooks | 139832 | 7 |
| 6 | TS-Schienenräumer, Trafwanne Part set rail guard, transformer tub | 141140 | 12 |
| 7 | TS-Sandkasten, Antenne Part set sand box, antenna | 141144 | 7 |
| 8 | TS-Drehgestellblende Part set bogie | 142024 | 15 |
| 9 | TS-Kinematik und Deichsel Part set kinematics and drawbar | 141136 | 8 |
| 10 | Getriebeboden Gear bottom | 141159 | 7 |
| 11 | Kardanwelle 28,9 mm Cardan shaft | 108332 | 4 |
| 12 | Schneckendeckel Worm gear cover | 122822 | 4 |
| 13 | Lager für Schneckenachse Bearing for worm gear axle | 89749 | 6 |
| 14 | Grundrahmen Basic frame | 141135 | 16 |
| 15 | Beilagscheibe Washer | 86108 | 3 |
| 16 | TS-Blendensteckteile Set of cover plug-in parts | 122956 | 5 |
| 17 | Kontakthalter mit Litzen Contact support with leads | 137826 | 9 |
| 18 | Kurzkupplung-Vorentkupplung Short coupling- pre-uncoupling | 115550 | 6 |
| 19 | Getriebeatz 2-teilig Gear set 2-parts | 122816 | 11 |
| 20 | Radsatz m.Zahnrad o.Haftring Wheelset w.gear wheel w/o traction tyre | 141160 | 12 |
| 21 | Schnecken Zahnrad doppelt Z=16/17 Worm gear wheel double Z=16/17 | 86419 | 6 |
| 22 | Zahnrad Z=17 M=0,4 Gear wheel Z=17 M=0,4 | 127541 | 4 |
| 23 | Zahnrad Z=12 M=0,4 Gear wheel Z=12 M=0,4 | 127542 | 4 |
| 24 | Radsatz m.2 Haftringen m.Zahnrad Wheelset w.2 traction tyres w.gear wheel | 141161 | 13 |
| 25 | Pufferflansch links und rechts Buffer flange left and right | 136487 | 5 |
| 26 | GF-Schraube M2x6 mm Self-tapping screw M2x6 mm | 114828 | 3 |
| 27 | Pufferflansch links und rechts Vitrine Buffer flange left and right for showcase | 141162 | 4 |
| 28 | GF-Schraube M1,6x4 mm Self-tapping screw M1,6x4 mm | 114850 | 3 |
| 29 | Schürze Skirt | 146096 | 6 |
| 30 | Zurüstbeutel Bag of accessories | 145611 | 25 |
| AC-Wechselstrom | | | |
| 31 | Getriebeboden AC Gear bottom AC | 130040 | 8 |
| 32 | Radsatz o.Haftring o.Zahnrad AC Wheelset w/o traction tyre w/o gear wheel AC | 141242 | 11 |
| 33 | Schraube M1,5x5 mm Screw M1,5x5 mm | 108137 | 3 |
| 34 | Radsatz m.2 Haftringen m.Zahnrad AC Wheelset w.2 traction tyres w.gear wheel AC | 141168 | 13 |
| 35 | Schleifer 42 mm Center pick-up 42 mm | 86030 | 14 |
| 36 | Radsatz m.Zahnrad o.Haftring AC Wheelset w.gear wheel w/o traction tyre AC | 141167 | 12 |

Ersatzteile erhalten Sie direkt unter www.roco.cc, bei Ihrem Fachhändler oder Ihrer Landesvertretung:
Spare parts can be ordered directly at www.roco.cc and from your local dealer or country representative.